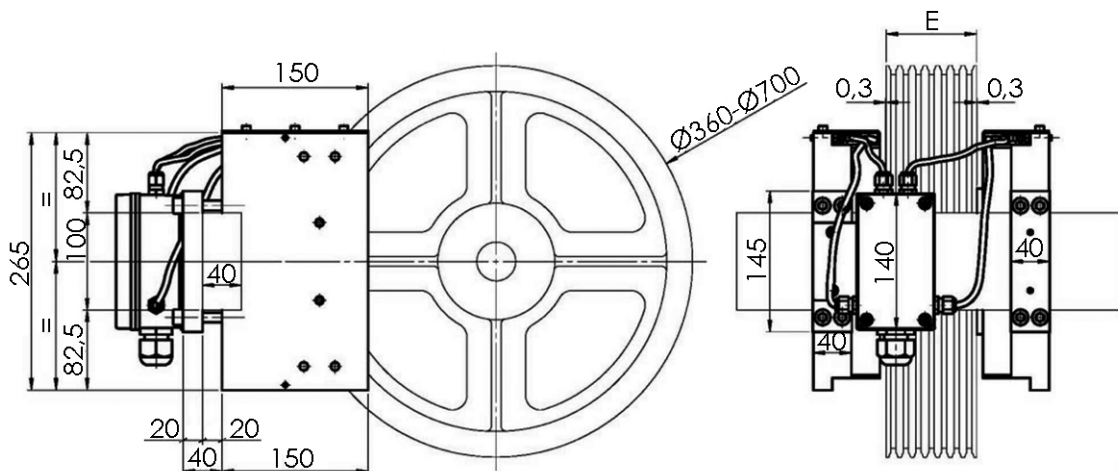


**(EN81-1+A3, 9.10) ON PULLEY**

**BRAKE UPWARDS**



**Security brake upwards.Characteristics**

REFERENCE	F [N]	$\mu$	Pmax [W]	P [W]	GEAR DIN5480	%ED
<b>CR236SP</b>	2x 5.000	0,38	2x 350 (1,5sec.)	2x 40	N60 x2.5 x22 x9H	40

Power supply: 230VDC

**Overexcitation circuit NS.04DS: V= 2x 300VDC (1,5sec.) / 2x 102,5VDC**

