

Security brakes.Summary

TYPE

**Security brake upwards
(EN81-1+A3, 9.10)**

CR security brakes

D security brakes

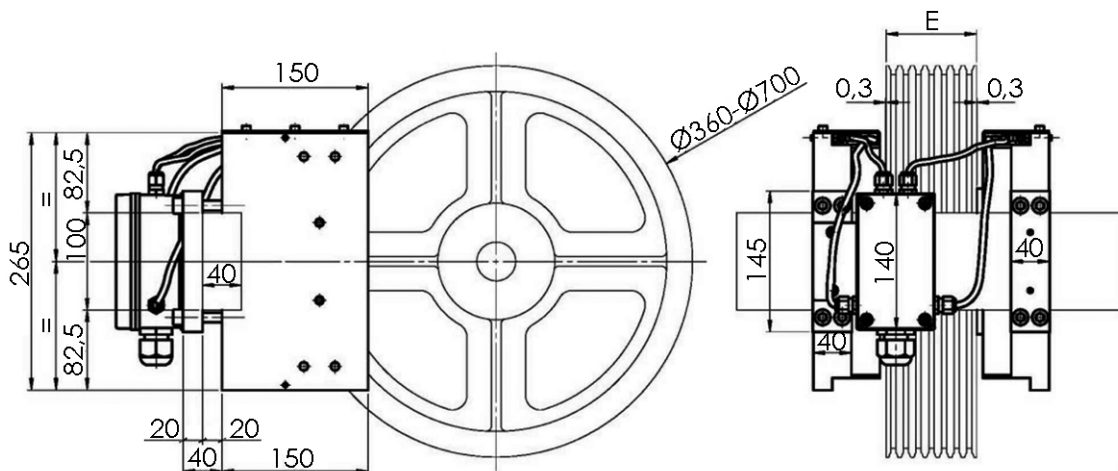
Please do not hesitate to contact Nork2, as we will be very pleased to recommend the best option to you. You can choose among the here mentioned security brakes and the needed power supply.

NORK2 S.L. reserves itself the right to amend or modify the content and details of its products without prior notice. We expressly reserve ourselves the right to perform technical changes to improve the lifting machines or to increase the security standards without prior notice. No liability will be accepted for damages, injuries or expenses that may be attributed due to the above-indicated reasons. We cannot assume any guarantee as to the accuracy or completeness of the documents. Any reproduction, translation or copy, including summary, needs the written authorization of the company NORK2 S.L..



(EN81-1+A3, 9.10) ON PULLEY

BRAKE UPWARDS



Security brake upwards.Characteristics

REFERENCE	F [N]	μ	Pmax [W]	P [W]	GEAR DIN5480	%ED
CR236SP	2x 5.000	0,38	2x 350 (1,5sec.)	2x 40	N60 x2.5 x22 x9H	40

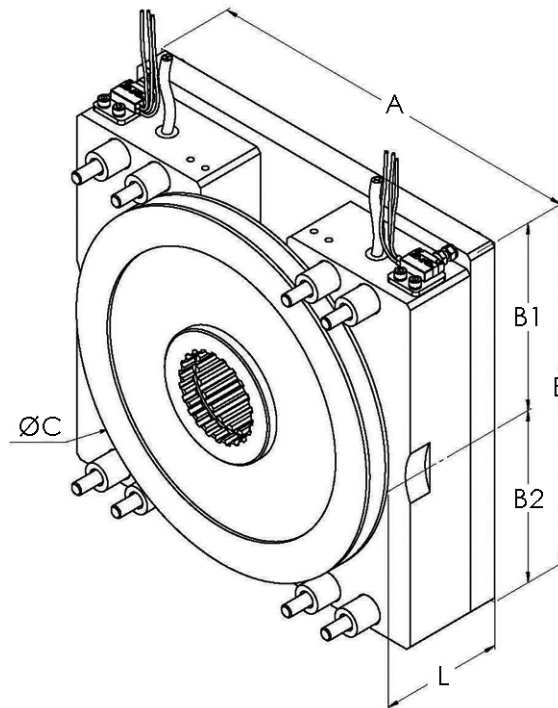
Power supply: 230VDC

Overexcitation circuit NS.04DS: V= 2x 300VDC (1,5sec.) / 2x 102,5VDC



SQUARE BRAKES

CR SECURITY BRAKES



CR security brakes.Characteristics

REFERENCE	A	B	B1	B2	L	C	BRAKE TORQUE UP TO [Nm]	GEAR DIN5480	%ED
CR200	210	210	110	100	86,4	190	160	N60 x2.5 x22 x9H	40
CR236	270	250	130	120	86,4	235	300	N60 x2.5 x22 x9H	40
CR270*	280	280	145	135	86,4	265	420	N70 x3 x22 x9H	40
CR270G	280	280	145	135	101,4	265	500	N70 x3 x22 x9H	40
CR290*	296	300	155	145	86,4	285	600	N75 x3 x24 x9H	40
CR290G	296	300	155	145	101,4	285	720	N75 x3 x24 x9H	40

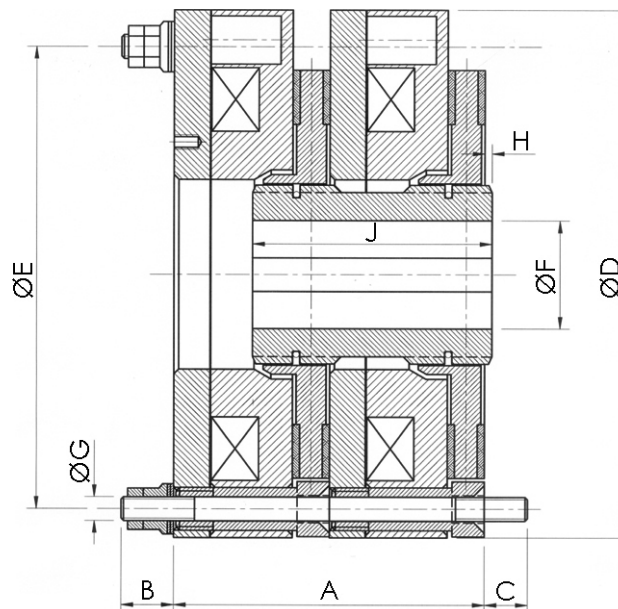
Power supply: 48VDC, 110VDC, 205VDC, ...

*Please ask for quantity and delivery details.



CIRCULAR BRAKES

D SECURITY BRAKES



D security brakes.Characteristics

REFERENCE	ØD	A	B	C	E	ØF H7	ØG	H	J	BRAKE TORQUE [Nm]	
										WITH OVEREXC.	WITHOUT OVEREXC.
D220.2	220	129,6	20	18	196	45	3x M10	2,5	100	2x 250	2x 170
D265.2E	265	129,6	25	20	230	45	3x M12	2,5	100	2x 330	2x 290
D265.2	265	159,6	25	20	230	45	3x M12	2,5	115	2x 550	2x 400
D295.2	295	186,7	33	24	264	60	3x M16	2,5	130	2x 900	2x 600

Airgap: 2x 0,3mm
Maximum airgap: 2x 0,6mm

Power supply: 48VDC, 110VDC, 205VDC, ...
Power supply with overexcitation: 207-103.5VDC 48-24VDC

