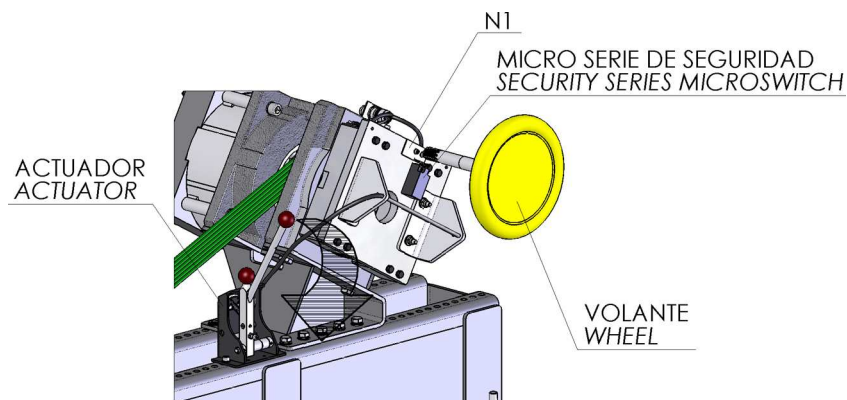


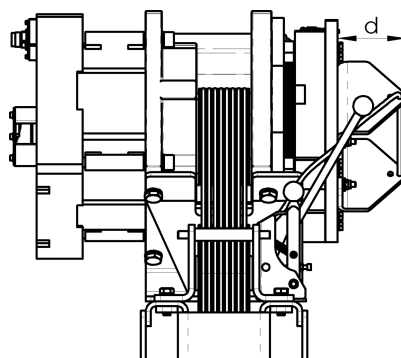
EN81-1+A3, 12.5.1

MANUAL RESCUE



Manual rescue.

REFERENCE	DESCRIPTION
13.01.23.60 Pos.1	Brake hand release
13.01.23.60 Pos.2	Brake hand release + wheel



Manual rescue.

BRAKE MODEL	d
CR236	110
CR270G - CR290G	180

