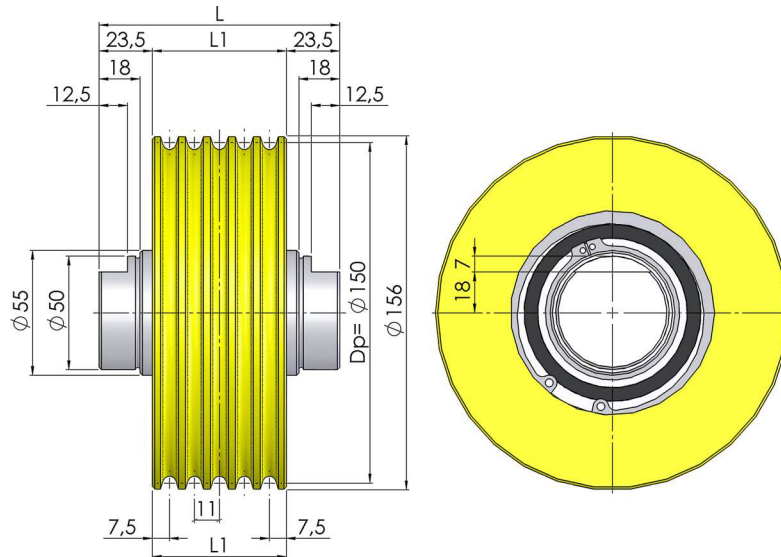


POLYAMIDE

DEVIATION PULLEYS



Deviation pulleys.Ø150

REFERENCE	GARGANTAS	DIMENSIONS	
		L	L1
13.16.06.10	5	106	59
13.16.06.11	7	128	81
13.16.06.12	9	150	103
13.16.06.13	11	172	125

Other shafts can be defined

