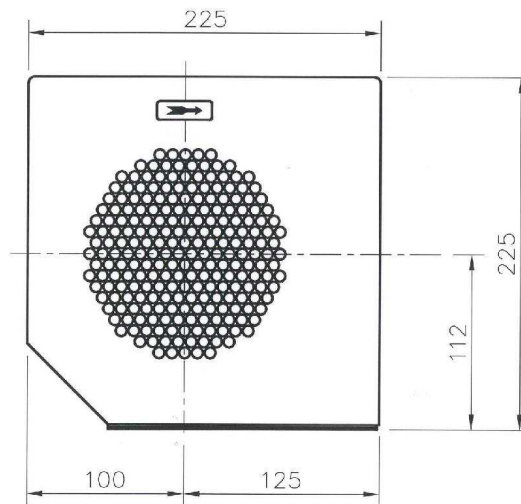
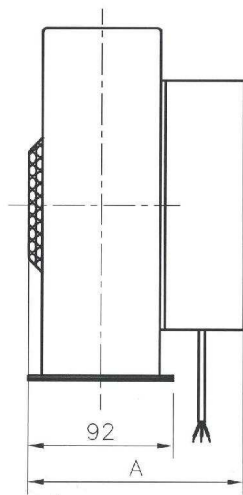
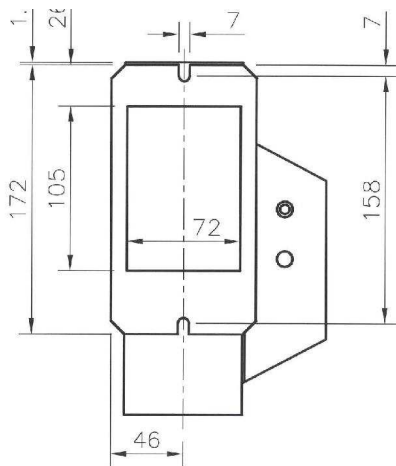


## SMALL AIR VOLUMES

## RV FANS



### RV fans.Characteristics

REFERENCE	POWER SUPPLY [VAC]	FREQUENCY [Hz]	INSTENSITY [A]	CONDENS. [ $\mu$ F]	AIR VOLUME (FREEBLOWING) [ $m^3/h$ ]	dBA	A
RV-140	220-230	50/60	0,55	2	350	62	140
	380-400	50/60	0,38	3			
RV-146	220-230	50/60	0,95	8	420	78	156
	380-400	50/60	0,50	3			

