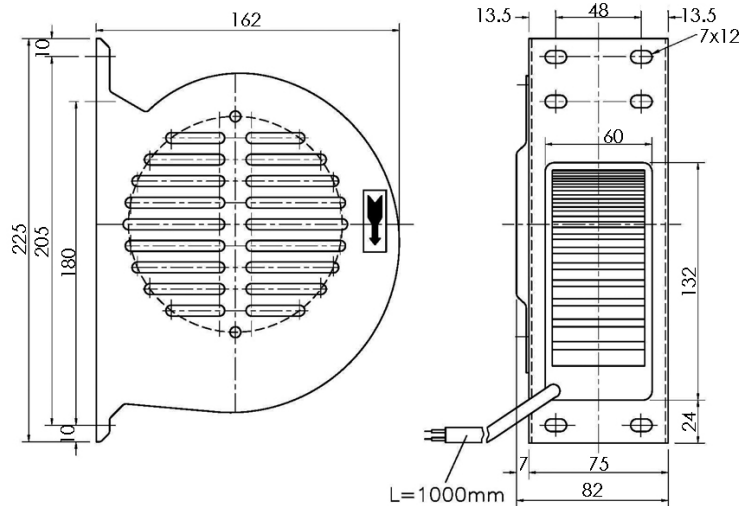


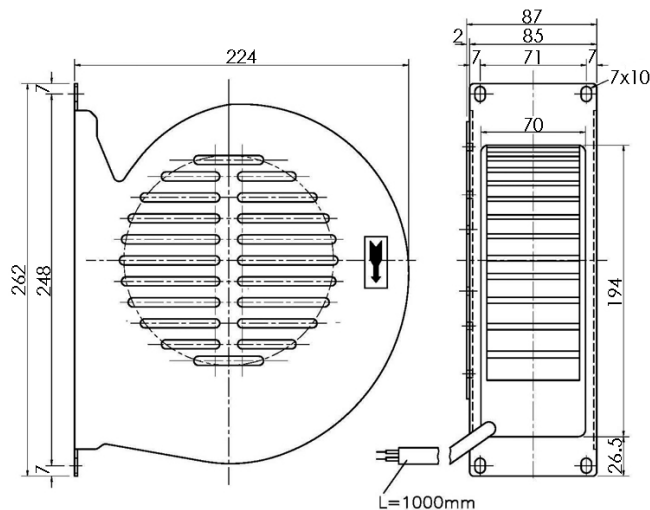
## SMALL AIR VOLUMES

## NV FANS



NV fans.NV-140

REFERENCE	POWER SUPPLY [VAC]	FREQUENCY [Hz]	INSTENSITY [A]	CONDENS. [ $\mu$ F]	AIR VOLUME (FREEBLOWING) [ $m^3/h$ ]	dBA
NV-140	220-230	50/60	0,45	2/400	320	55
	380-400	50/60	0,36	1/600		



NV fans.NV-146

REFERENCE	POWER SUPPLY [VAC]	FREQUENCY [Hz]	INSTENSITY [A]	CONDENS. [ $\mu$ F]	AIR VOLUME (FREEBLOWING) [ $m^3/h$ ]	dBA
NV-146	220-230	50/60	0,8	2/400	560	75
	380-400	50/60	0,6	1/600		

