

Fans for machines.Summary

TYPE

RV fans

DV fans

NV fans

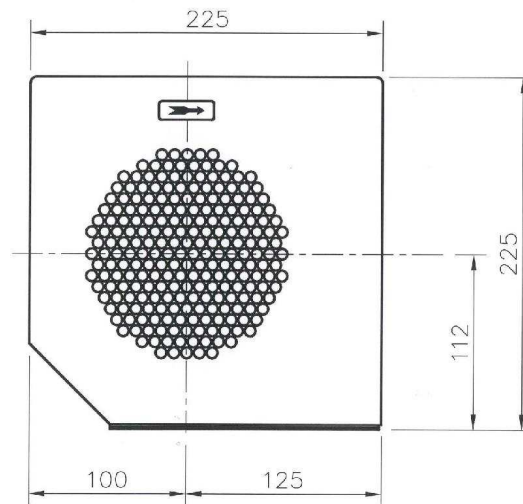
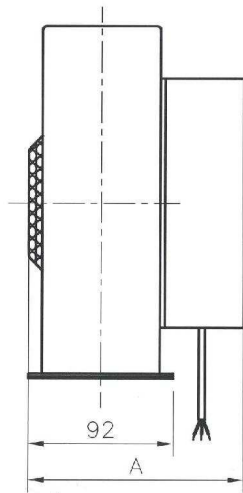
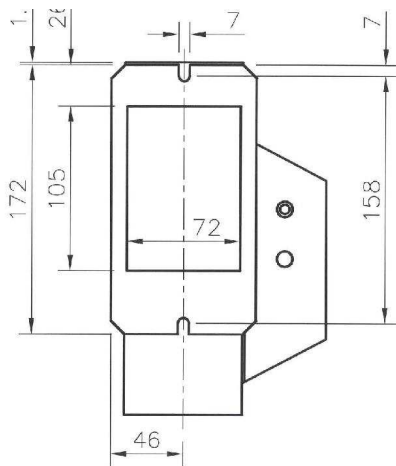
Please do not hesitate to contact Nork2, as we will be very pleased to recommend the best option to you.

NORK2 S.L. reserves itself the right to amend or modify the content and details of its products without prior notice. We expressly reserve ourselves the right to perform technical changes to improve the lifting machines or to increase the security standards without prior notice. No liability will be accepted for damages, injuries or expenses that may be attributed due to the above-indicated reasons. We cannot assume any guarantee as to the accuracy or completeness of the documents. Any reproduction, translation or copy, including summary, needs the written authorization of the company NORK2 S.L..



SMALL AIR VOLUMES

RV FANS



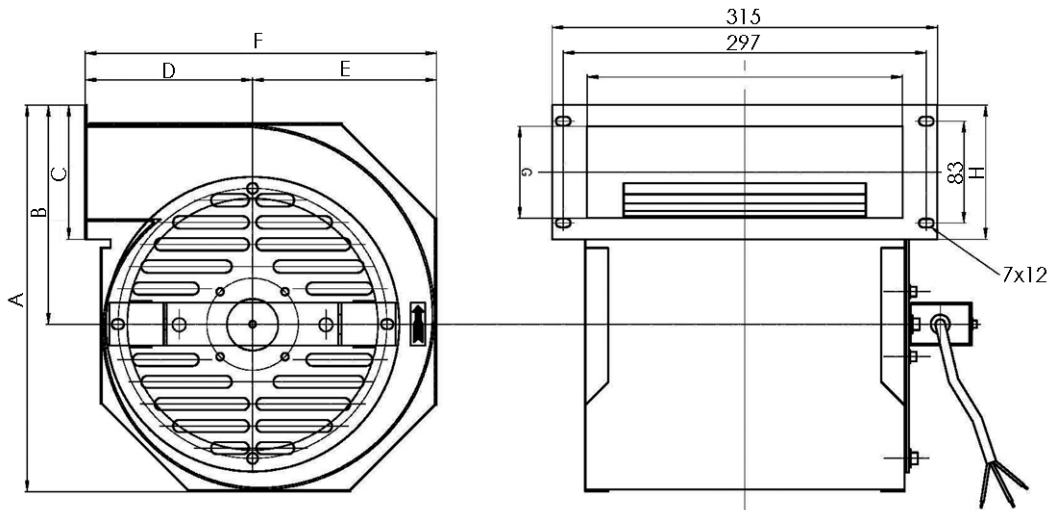
RV fans.Characteristics

REFERENCE	POWER SUPPLY [VAC]	FREQUENCY [Hz]	INSTENSITY [A]	CONDENS. [μF]	AIR VOLUME (FREEBLOWING) [m ³ /h]	dBA	A
RV-140	220-230	50/60	0,55	2	350	62	140
	380-400	50/60	0,38	3			
RV-146	220-230	50/60	0,95	8	420	78	156
	380-400	50/60	0,50	3			



BIG AIR VOLUMES

DV FANS



DV fans.Characteristics

REFERENCE	POWER SUPPLY [VAC]	FRECUENCY [Hz]	INSTENSITY [A]	CONDENS. [μ F]	AIR VOLUME (FREEBLOWING) [m^3/h]	dBA
DV-200	220-230	50	1,10	8	1.900	65
	220-230	60	1,80	8		
	380-400	50	0,65	5		
	380-400	60	1,00	6		
DV-250	220-230	50/60	3,50	30	2.360	68
	380-400	50/60	2,00	8		

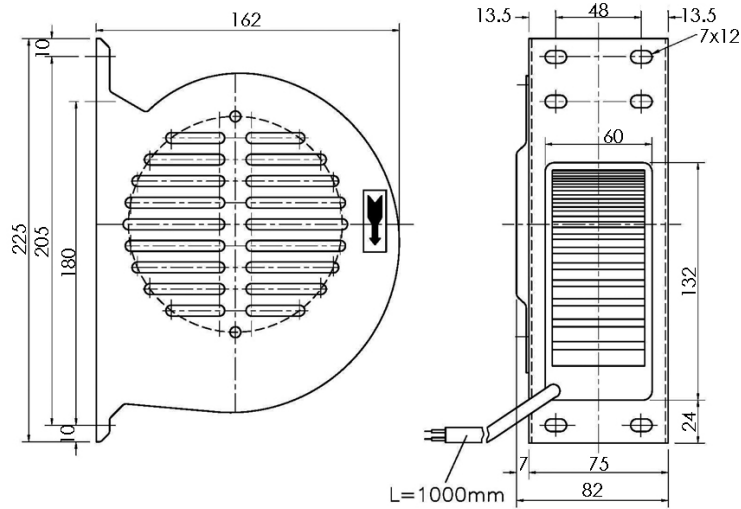
DV fans.Dimensions

REFERENCE	A	B	C	D	E	F	G	H	I
DV-200	312,5	178,5	110	138,5	150	288,5	76	110	258
DV-250	399,5	229	135	168	192	360	112	132	260



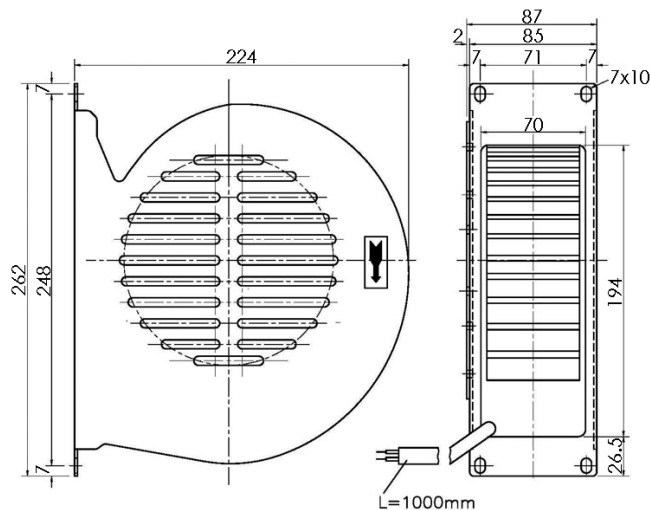
SMALL AIR VOLUMES

NV FANS



NV fans.NV-140

REFERENCE	POWER SUPPLY [VAC]	FREQUENCY [Hz]	INSTENSITY [A]	CONDENS. [μ F]	AIR VOLUME (FREEBLOWING) [m^3/h]	dBA
NV-140	220-230	50/60	0,45	2/400	320	55
	380-400	50/60	0,36	1/600		



NV fans.NV-146

REFERENCE	POWER SUPPLY [VAC]	FREQUENCY [Hz]	INSTENSITY [A]	CONDENS. [μ F]	AIR VOLUME (FREEBLOWING) [m^3/h]	dBA
NV-146	220-230	50/60	0,8	2/400	560	75
	380-400	50/60	0,6	1/600		

