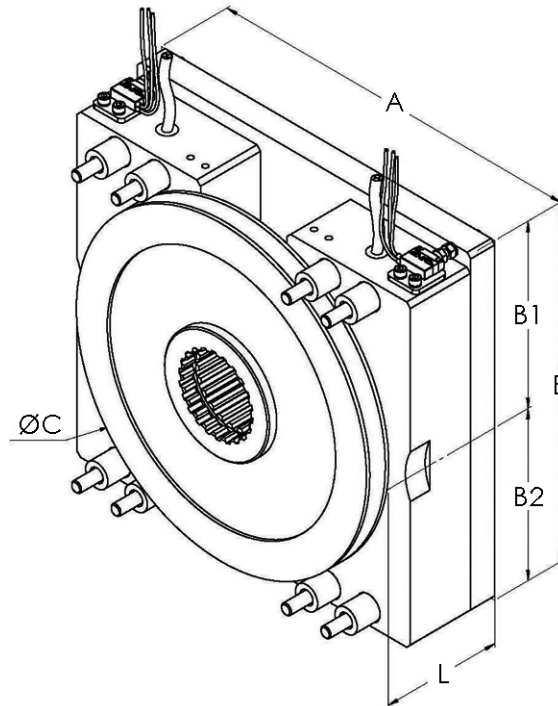


SQUARE BRAKES

CR SECURITY BRAKES



CR security brakes.Characteristics

REFERENCE	A	B	B1	B2	L	C	BRAKE TORQUE UP TO [Nm]	GEAR DIN5480	%ED
CR200	210	210	110	100	86,4	190	160	N60 x2.5 x22 x9H	40
CR236	270	250	130	120	86,4	235	300	N60 x2.5 x22 x9H	40
CR270*	280	280	145	135	86,4	265	420	N70 x3 x22 x9H	40
CR270G	280	280	145	135	101,4	265	500	N70 x3 x22 x9H	40
CR290*	296	300	155	145	86,4	285	600	N75 x3 x24 x9H	40
CR290G	296	300	155	145	101,4	285	720	N75 x3 x24 x9H	40

Power supply: 48VDC, 110VDC, 205VDC, ...

*Please ask for quantity and delivery details.

