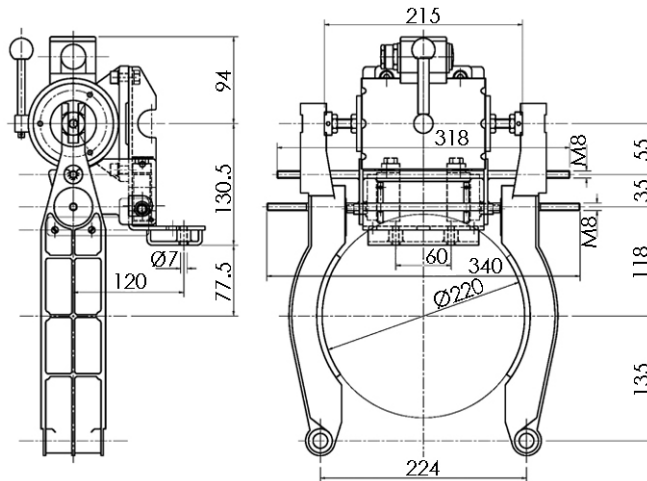


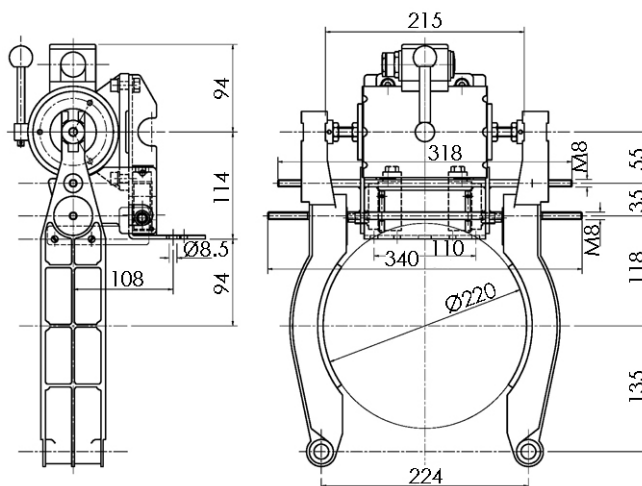
SCINDLER MACHINES **B.K. FOR SCINDLER**



Brake kits for Schindler machines.W125R

REFERENCE	DUTY CYCLE	PROTECTION	THERMAL CLASS
Schindler W125R machine kit	40% ED	IP43 DIN40050	F (155°)

Power supply: 48VDC, 80VDC, 180VDC, ...



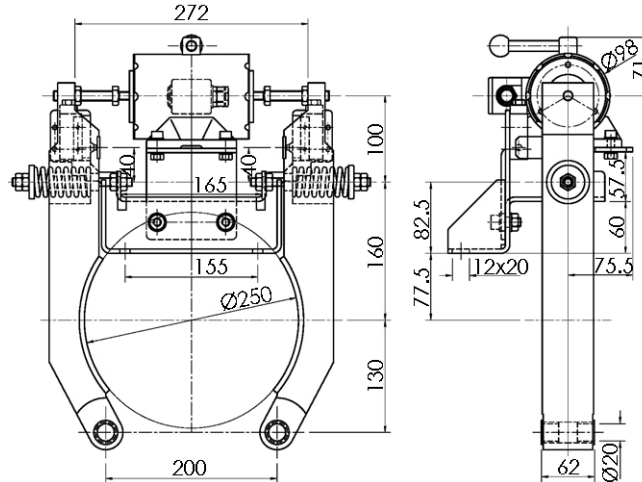
Brake kits for Schindler machines.W140

REFERENCE	DUTY CYCLE	PROTECTION	THERMAL CLASS
Schindler W140 machine kit	40% ED	IP43 DIN40050	F (155°)

Power supply: 48VDC, 80VDC, 180VDC, ...



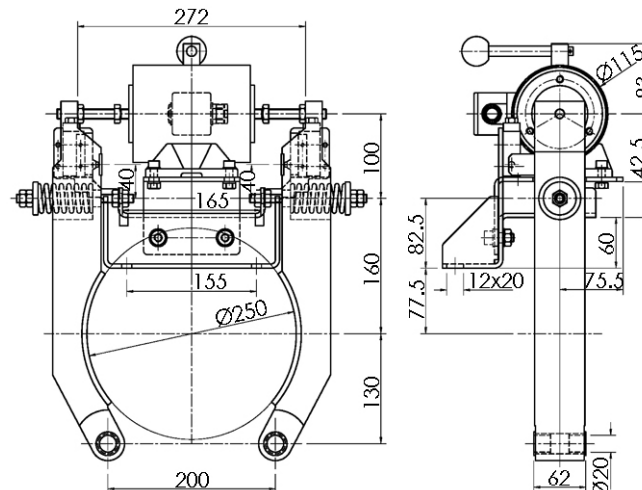
SCINDLER MACHINES **B.K. FOR SCINDLER**



Brake kits for Schindler machines.W163-N98D

REFERENCE	DUTY CYCLE	PROTECTION	THERMAL CLASS
Schindler W163-N98D machine kit	40% ED	IP43 DIN40050	F (155°)

Power supply: 48VDC, 80VDC, 180VDC, ...



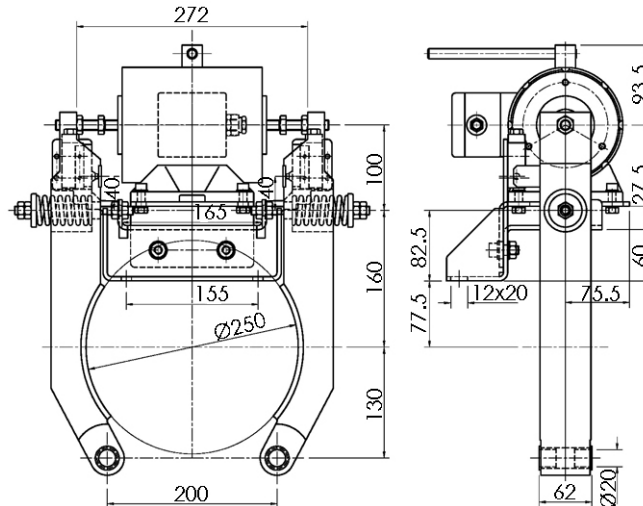
Brake kits for Schindler machines.W163-N115D

REFERENCE	DUTY CYCLE	PROTECTION	THERMAL CLASS
Schindler W163-N115D machine kit	40% ED	IP43 DIN40050	F (155°)

Power supply: 48VDC, 80VDC, 180VDC, ...



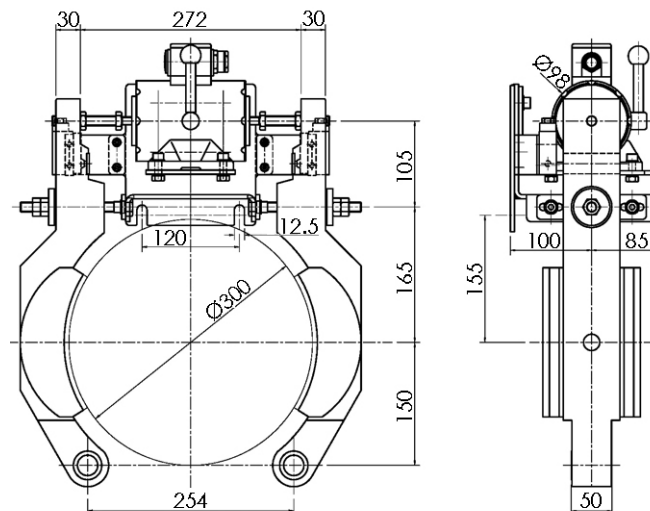
SCHINDLER MACHINES **B.K. FOR SCHINDLER**



Brake kits for Schindler machines.W163-N135D

REFERENCE	DUTY CYCLE	PROTECTION	THERMAL CLASS
Schindler W163-N135D machine kit	40% ED	IP43 DIN40050	F (155°)

Power supply: 48VDC, 80VDC, 180VDC, ...



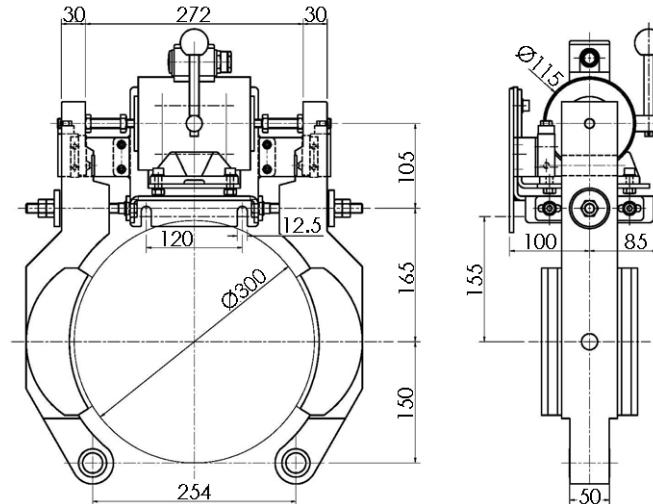
Brake kits for Schindler machines.W200/W250-N98D

REFERENCE	DUTY CYCLE	PROTECTION	THERMAL CLASS
Schindler W200/W250-N98D machine kit	40% ED	IP43 DIN40050	F (155°)

Power supply: 48VDC, 80VDC, 180VDC, ...



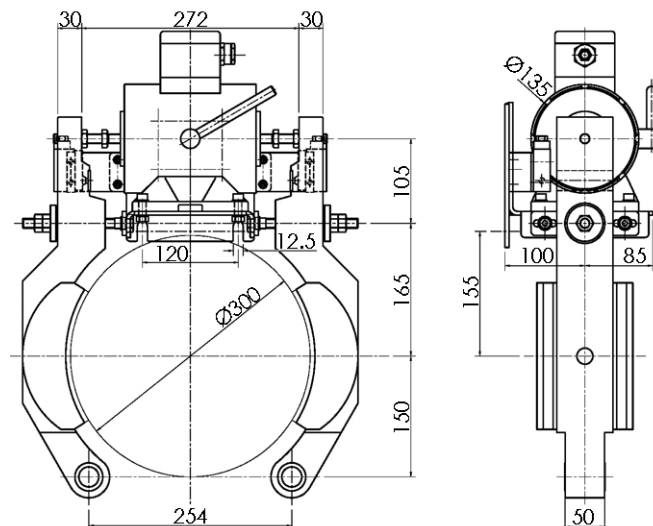
SCHINDLER MACHINES **B.K. FOR SCHINDLER**



Brake kits for Schindler machines.W200/W250-N115D

REFERENCE	DUTY CYCLE	PROTECTION	THERMAL CLASS
Schindler W200/W250-N115D machine kit	40% ED	IP43 DIN40050	F (155°)

Power supply: 48VDC, 80VDC, 180VDC, ...



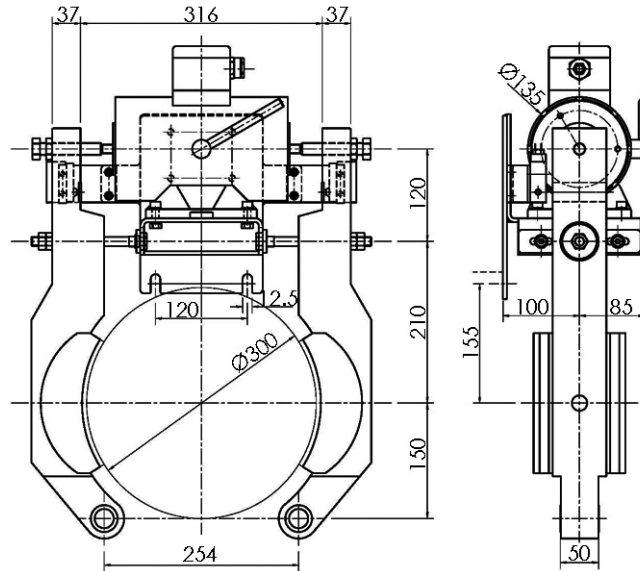
Brake kits for Schindler machines.W200/W250-N135D

REFERENCE	DUTY CYCLE	PROTECTION	THERMAL CLASS
Schindler W200/W250-N135D machine kit	40% ED	IP43 DIN40050	F (155°)

Power supply: 48VDC, 80VDC, 180VDC, ...



SCINDLER MACHINES **B.K. FOR SCINDLER**



Brake kits for Schindler machines.W200/W250-N135DL

REFERENCE	DUTY CYCLE	PROTECTION	THERMAL CLASS
Schindler W200/W250-N135DL machine kit	40% ED	IP43 DIN40050	F (155°)

Power supply: 48VDC, 80VDC, 180VDC, ...

